

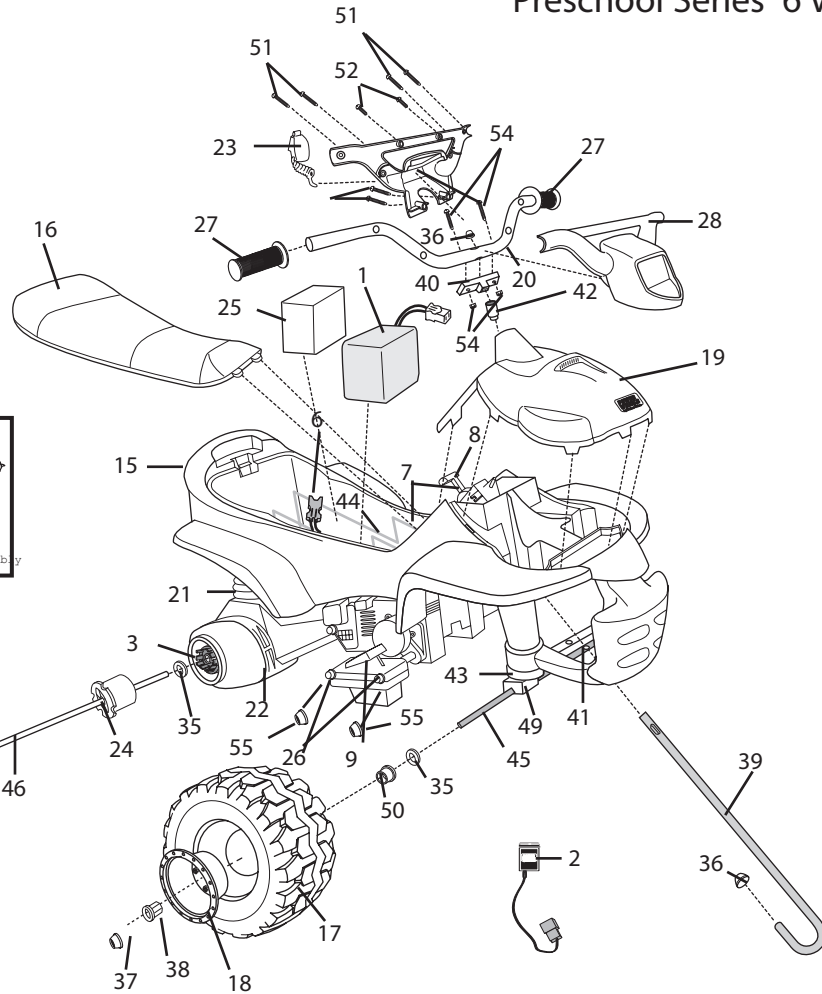


B2008-9993 Barbie Trail Rider

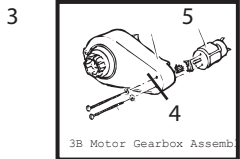
Preschool Series 6 Volt

Age Range: 3-6 Years
 Weight Limit: 65 Lbs
 Surfaces: Hard and Grass
 Speed: 3.5 mph forward
 and reverse
 Colors: White Body
 Pink Wheels
 Purple trim
 Intro: 2002
 Suggested Retail: \$159.99
 Box Dimensions: 40.25 x 24.875 x 19.18
 Warranty

1 Year bumper to bumper
 6 Months for battery



Rev 05/10/06



Item No.	Description	Part No.	Qty.	Item No.	Description	Part No.	Qty.	Item No.	Description	Part No.	Qty.
Working / Electrical Parts											
1	6V Battery -intl fuse	00801-0712	1	35	7/16 Washer	0801-0196	4		Large Parts Bag	B2008-9259D	1
2	Charger	00801-0974	1	36	*Cap Nut .437 Black	0801-0226	6		Small Parts Bag	B2008-9249D	1
3	Motor Gearbox Assy	74180-95192	1	37	Cap Nut .437 White	0801-0227	2		Hardware Bag	B2008-9269	1
4	Grbx W/out Motor	74550-9279	1	38	Hex Bushing	73233-2559	4		Owner's Manual	B2008-0920	1
5	Motor Pinion Assy	74580-9539	1	39	*Steering Column	73690-4249	1		Label Sheet	B2008-0310	1
6	Motor Harness Assy	78476-97991	1	40	Handlebar Neck	73690-4289	1		Cap Nut Tool	78640-2629	1
7	Shifter/Harness Assy	B2008-9509	1	41	Crossbar	73690-4649	1		Motor Rod Upper	74110-4559	1
8	Shifter N/A (Order # 7)		1	42	Steering Column Bush	78476-2259	1		Motor Rod Lower (No Sub)	74110-4569	1
9	Foot Pedal Assm.	B2008-9169	1	43	Bottom Bushing	74110-2639	1		Footswitch	00801-0933	1
Plastic / Other Parts											
15	Body	N/A	1	44	Battery Retainer	74110-4429	1				
16	Seat	B2008-2309	1	45	Front Axle	74110-4509	1				
17	Wheel	74558-2469	4	46	Rear Axle (21.8)	74110-4549	1				
18	Hub Cap	74590-2579	4	49	*Steering Linkge Assm.	74110-92391	1				
19	Cowling	3800-7084	1	50	7/16 Round Bush -Black	74550-26892	2				
20	Handle Bar	74282-4219	1	51	Screw #6 x 1 screws		6				
21	Motor Housing Top	73690-2149	1		N/A Order Hardware bag						
22	Motor Housing Bottom	73690-2159	1	52	Screw #6 x 1/2		2				
23	Microphone	74110-9479	1	53	#10 Lock nuts		2				
24	Wheel Driver	74460-2249	2		N/A Order Hardware bag						
25	Foam Battery Spacer	75560-0400	1	54	Screw #10 x 1 5/8		2				
26	Footboard Support	76262-4439	2		N/A Order Hardware bag						
27	Handgrip	B2008-2229	2	55	.354 Cap Nut	0801-0548	4				
28	Handbar Assm (Headlight)	3800-7085	1								
1											
Hardware / Metal Parts				Parts Not Shown							

N/A = Not Available

Bold and Underlined parts are to be purchased and installed by Service Centers only. These items may not be sold directly to consumers by Service Centers or Fisher-Price. *If 74110-9239 steering linkage has black levers, please replace with B2008-9239 with translucent white levers.

*Service Bulletin 174